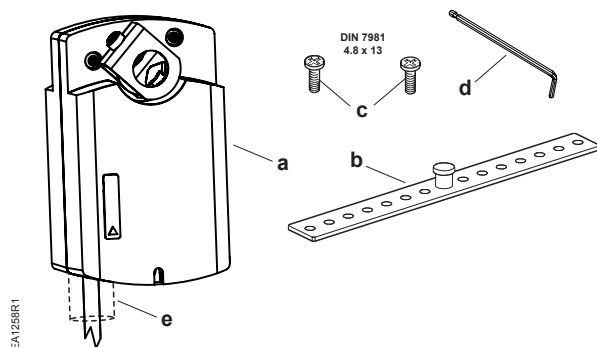
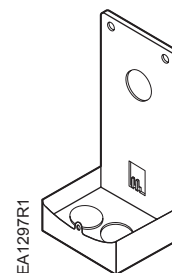


ES20 Series, Spring Return, 20 lb-in (2 Nm)
Rotary Electronic Damper Actuators
Déclencheurs électroniques rotatoires d'amortisseur
Actuadores electrónicos rotatorios del apagador

Contents	Contenu	Contenido
----------	---------	-----------



- a. Actuator
- b. Mounting bracket
- c. Mounting screws
- d. 3 mm hex key
- e. Conduit Adapter



EA1297R1
 Conduit Adapter
 (Not Included)

Figure 1.

Hints/Warnings	Conseils/Mise en garde	Indicaciones/Consejos
----------------	------------------------	-----------------------

Store these instructions with the actuator or with the plant documentation.

Warning

Do not open the actuator !

Only authorized personnel are to connect actuators.

Do not expose the actuator's connecting cables to water or lay the cables in water.

- Device of protection class II (protective insulation)
- Device of protection class III (protective insulation)

Wiring and commissioning, see *Technical Instructions 155-760*.

Cette notice est à conserver avec le servomoteur ou avec la documentation de l'installation.

Avertissement !

Ne pas ouvrir le servomoteur !

Le branchement des servomoteurs ne doit être effectué que par un personnel qualifié.

Les câbles de raccordement du servomoteur ne doivent en aucun cas entrer en contact avec l'eau.

- Classe d'isolation II (isolation de protection)
- Classe d'isolation III (isolation de protection)

Câblage et mise en service : se référer aux instructions techniques du servomoteur, document n°155-760.

Conserve estas instrucciones con el actuator o con la documentación de la instalación!

Precaución

No abra el accionador !

Sólo el personal autorizado puede conectar los actuadores.

No exponer los cables de conexión del actuator al agua ni dejarlos en contacto con ésta.

- Equipo con tipo de protección II (aislamiento protegido)
- Equipo con tipo de protección III (aislamiento protegido)

Cableado y puesta en marcha Ver la documentación técnica 155-760 del actuator.

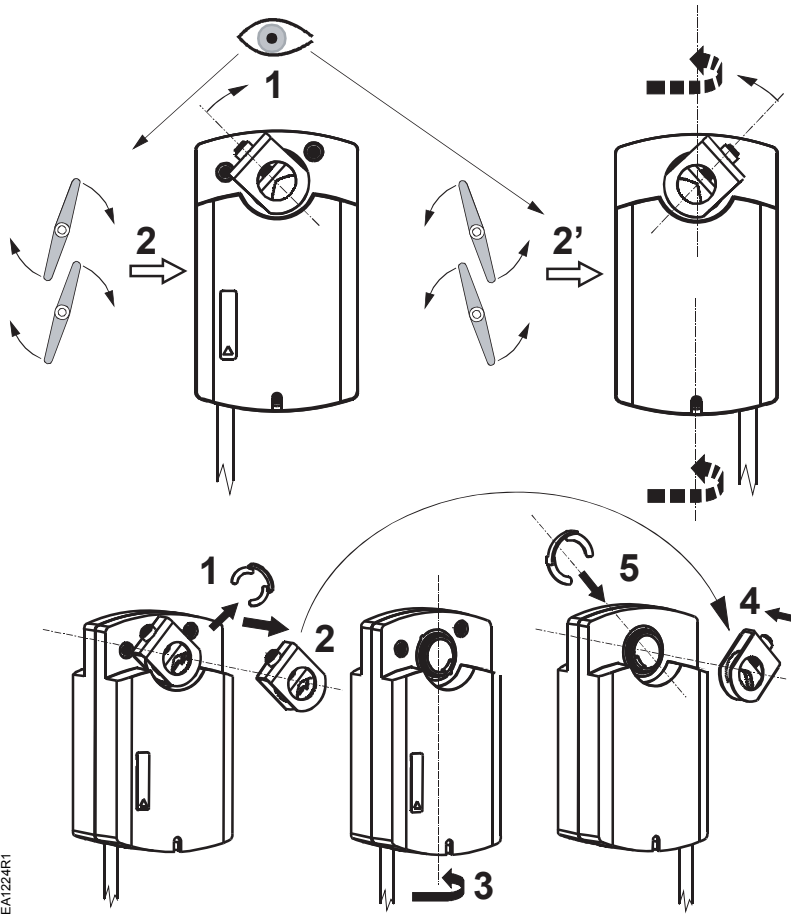


Figure 2.

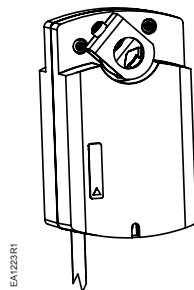
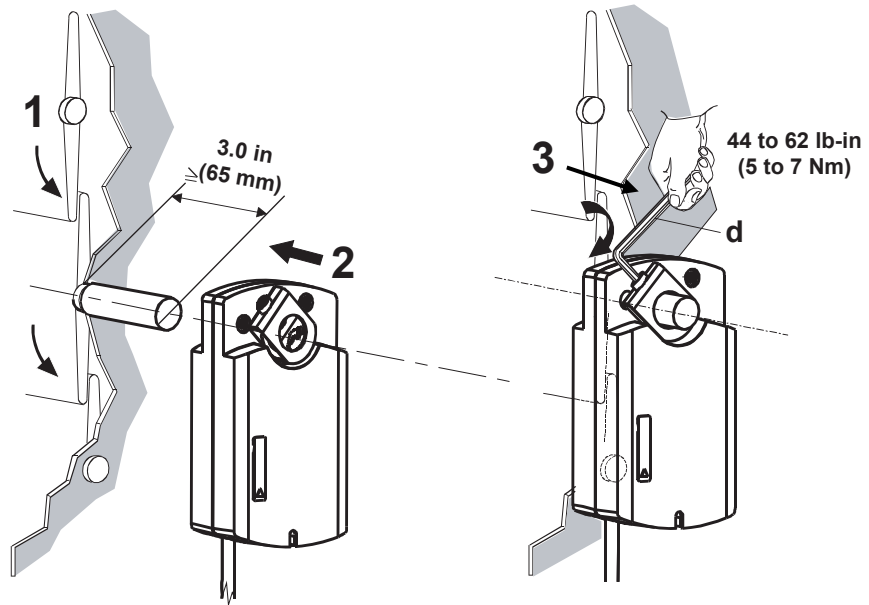


Figure 3. NEMA 1 IP40 in All Positions.

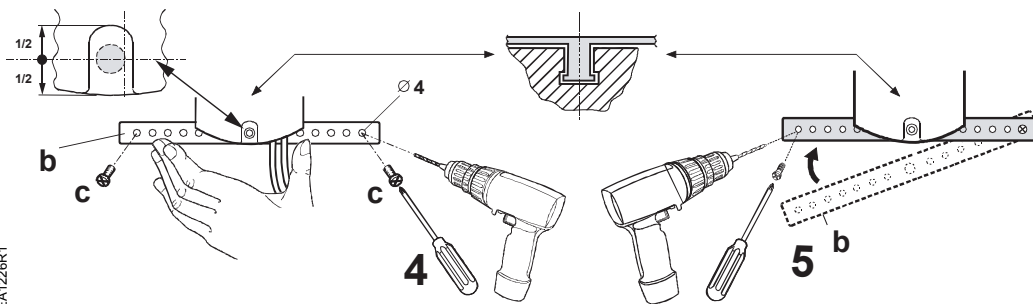
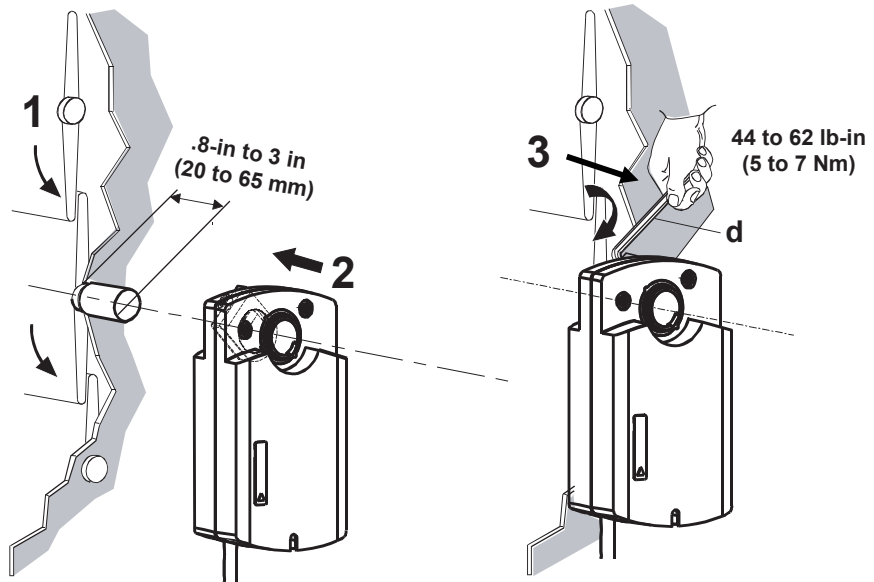
Shaft Mounting

Montage sur l'axe des volets

Montaje sobre el eje



or



EA1226R1

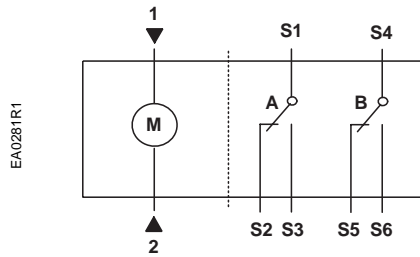
Figure 4.

Wiring Diagrams

Schémas de raccordement

Diagramas de cableado

ES20A2
 2-Position: 24 Vac/dc



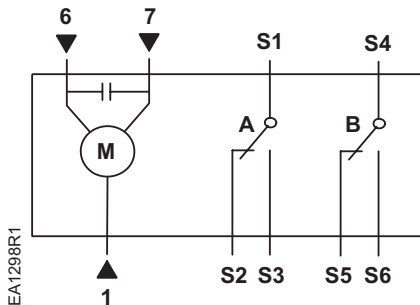
EA0281R1



Class III

Figure 5.

ES20C2
 Floating: 24 Vac/dc



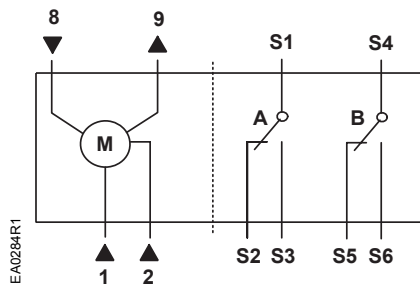
EA1298R1



Class III

Figure 6.

ES20B2
 Modulating: 24 Vac/dc



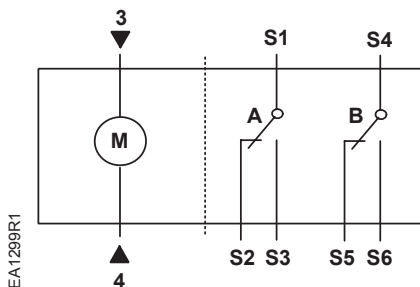
EA0284R1



Class III

Figure 7.

ES20A1
 2-Position: 120 Vac

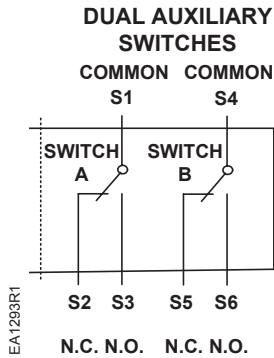


EA1299R1



Figure 8.

Auxiliary Switches (Optional)



Switch	Switch Makes	Switch Breaks
A (fixed 5°)	< 5°	> 5°
B (fixed 85°)	> 85°	< 85°

NOTE: Both sets of contacts are open when the actuator is between 5° and 85°. Switches may be wired in a Normally Closed or Normally Open position.



CAUTION:

Mixed switch operation to the switching outputs of both dual end switches (5° and 85°) is not permitted.

Either AC line voltage from the same phase must be applied to all four outputs of the fixed dual end switches, or UL-Class 2 voltage must be applied to all four outputs.

Wiring Terminations

Table 1.

Connecting	Standard Symbol	Function	Color	Color Symbol
24 Vac/dc Actuator	1	Supply (SP)	Red	RD
	2	System Neutral	Black	BK
	6	Control signal clockwise	Violet	VT
	7	Control signal counterclockwise	Orange	OG
	8	Input Signal: 2-10 Vdc or 10 to 2 Vdc (GQD15x)	Gray	GY
	9	Position Output: 2-10 Vdc or 10 to 2 Vdc (GQD15x)	Pink	PK
120 Vac	3	Supply	Black	BK
	4	Neutral	White	WH
Auxiliary Switches	1	Switch A – Common	Q11	Gray/red
	2	Switch A – N.C.	Q12	Gray/blue
	3	Switch A – N.O.	Q14	Gray/pink
	4	Switch B – Common	Q21	Black/red
	5	Switch B – N.C.	Q22	Black/blue
	6	Switch B – N.O.	Q24	Black/pink

Dimensions in Inches (Millimeters)	Dimensions en pouces (millimètres)	Dimensiones en las pulgadas (milímetros)
--	--	--

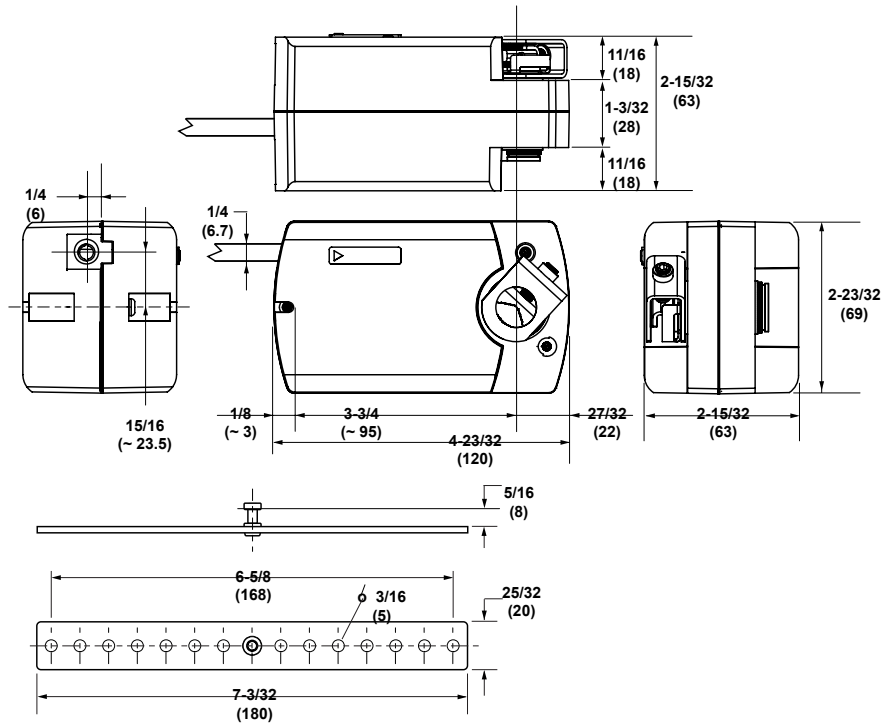


Figure 9. Actuator and Mounting Bracket.

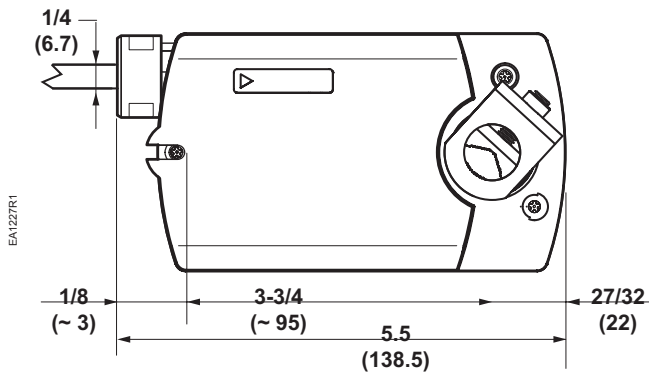


Figure 10. Actuator Only.

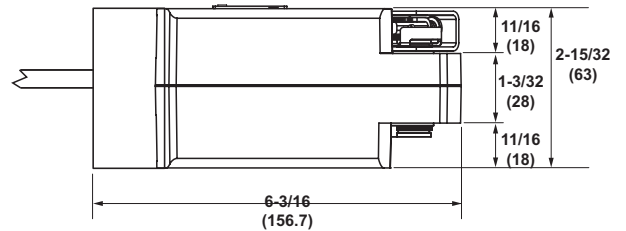


Figure 11. with Conduit Adapter.

Information in this publication is based on current specifications. The company reserves the right to make changes in specifications and models as design improvements are introduced.